



BRAND-NEW 7th GENERATION STAINLESS STEEL EVAPORATIVE CONDENSERS



HEATAWAY EVAPORATIVE CONDENSERS

WORLD CLASS QUALITY WITH OVER 30-YEAR EXPERIENCE

7th GENERATION

10-YEAR
WARRANTY
LEAK-FREE COIL

“10-YEAR WARRANTY WITH OVER 30-YEAR EXPERIENCE”

Our expertise acquired through the first 6 generations is embraced in our design, development and manufacturing of the 7th Generation. Our condensing coils are warranted to be leak-free, thanks to our careful selection of stainless steel in accordance with world class standard, our quality workmanship and simply our hard-earned experience.

“THE QUALITY YOU CAN TRUST”

It will take years to prove durability of our condensers. However, from day one, each unit will prove itself to help you save your running cost, keeping your operation smooth and is user friendly to your people. Each unit is guaranteed with

“WORLD CLASS QUALITY”.



1985 - 1990



ECP series

1st Generation

1991 - 2001



ECL series

2nd Generation

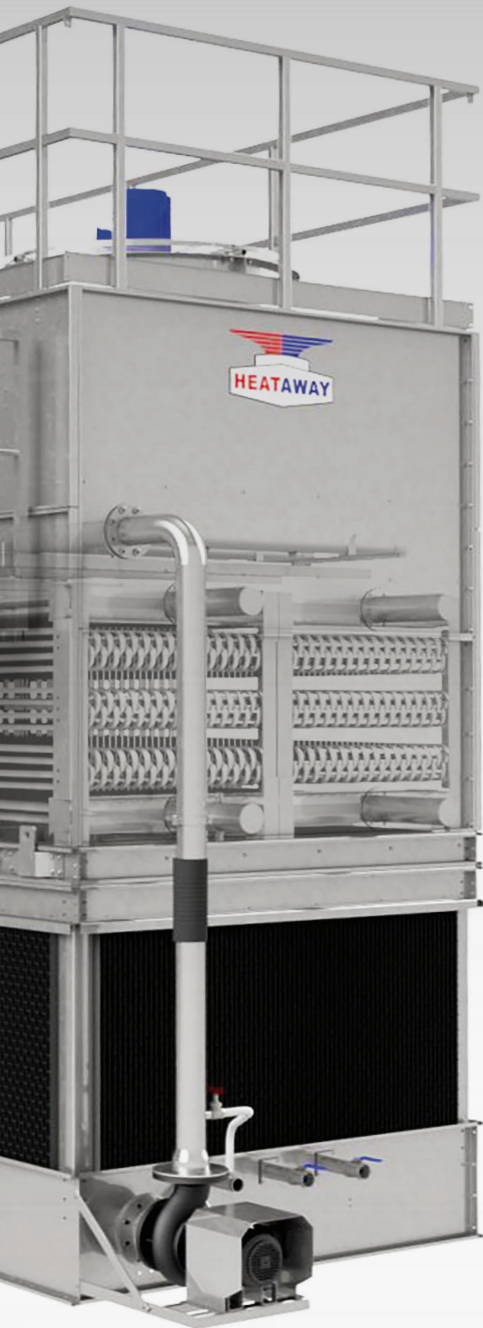
2002 - 2008



ECX series

3rd Generation

EC7



“JUST 30 MINTUES A MONTH TO KEEP YOUR OPERATION RUN SMOOTHLY”

With our newly designed water spray and quick refilling connection, maintenance is now 2x faster without any need of tools.

“SAVE OPERATING COST AND EXTEND YOUR PRODUCT LIFETIME WITH ENGINEERING GUIDELINE”

EC7 is developed to reduce water loss by a dual-arm float valve and the bleed-off guideline. Water pumps and fans are available with IE3* motors. The premium efficiency motors reduce energy consumption without compromising on the power.

(*Optional feature)

“GO BEYOND ‘THE PEACE OF MIND’ TO SAFETY WITH INTERNATIONAL STANDARD”

Because your safety matters to us, stay safe with our safety accessories*, platform* and fan guard designed in compliance with OSHA 1910 and AS 1657 international safety standard.

(*Additional feature)

2007 - 2008



ECM series

4th Generation

2009 - 2021



ECS series

5th Generation

2009 - 2021



ECF series

6th Generation

10-YEAR WARRANTY WITH QUALITY ASSURANCE ■ ■

10-YEAR
WARRANTY
LEAK-FREE COIL

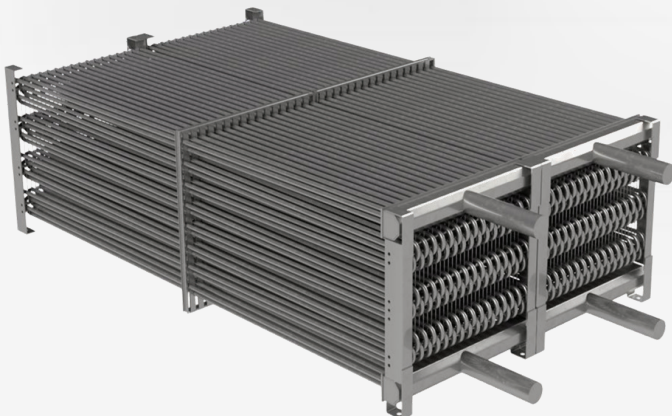
The quality you can trust with
10-year* warranty against leakage.

Our quality management system ISO 9001 : 2015 is core to our operation stretching from supplier selection to quality control of every process. Your condensing coil is made of stainless steel from world class manufacturers and verified by our QA engineers before going through our fabrication under ANSI/IIAR 2, ASME BPVC and ASME B31.5 standard.

* HEATAWAY warrants pack coil(s) to be free from leakage due to quality of materials and workmanship for a period of 10 years from the invoice date. The coverage cost is limited up to 100% of the purchased price of packed coil during the first five years and at 50% during the remaining period. Warranty term and conditions are applied.



WHY ONLY HEATAWAY?



NOT ANY STAINLESS STEEL CAN BE A CONDENSER

Our coil is designed with 304 stainless steel which is specified for condenser tubes in accordance with ASME standard. Our sources of this key material are among the top of the industry. While other grades may look the same and are even applicable, we stick to our commitment of making long lasting condensers.

BUT ALL GRADES LOOK THE SAME

How can you be **100%** sure you get the specification in accordance with ASME standard ?

We ask the same question and that is why we invested in our positive material identification machine (PMI). The machine can tell the exact chemical composition and only the material passing its test can be made into coils. We also have in-house testing facilities that can perform ASME required testing procedure.



WHAT MAKES 10-YEAR WARRANTY POSSIBLE ?

Three out of six of our testing procedures are with high pressure in accordance with ASME standard. Our testing is so vigorous that it is even tougher than the international standard required. That's how 10-year warranty is made possible.



SAVE MORE OPERATING COST

NEWLY DESIGNED WATER DISTRIBUTION



STAY EFFICIENT
PREVENT BREAKDOWN
SAVE MONEY
WITHIN 30 MINS/MONTH

Spray nozzles and branches can be easily removed, cleaned and reassembled from outside within 30 minutes*.

Water-spray must be cleaned at least once a month to prevent nozzle clogging that can lead to decreased efficiency and coil leakage.

(*Refer to EC7-1000)

ADDITIONAL HIGHLIGHT

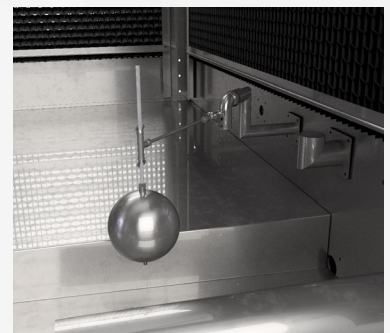


INTERCHANGEABLE PUMP

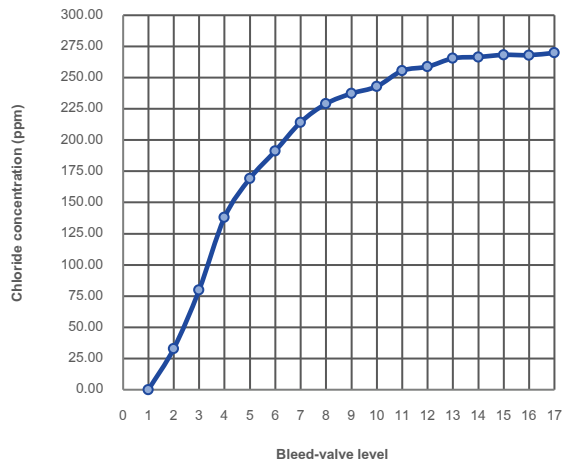
Water pump is now interchangeable to reduce your spare part stock.

DUAL ARM FLOAT VALVE

Water level is now adjustable to prevent water loss without any need of tools.

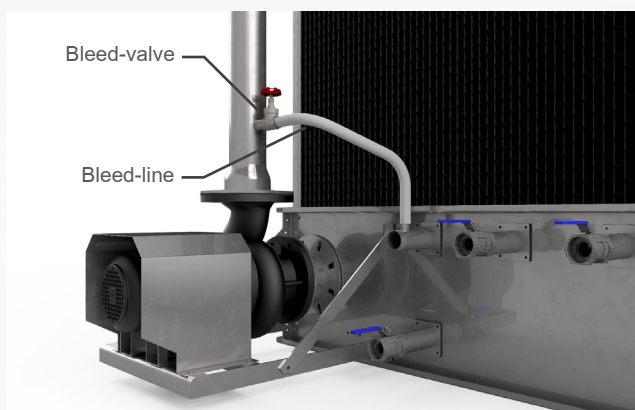


ENGINEERING GUIDELINE FOR BLEED-OFF



Chloride level (ppm)	Bleed-valve opening	Chloride level (ppm)	Bleed-valve opening
0 - 32	1, 1/2	215 - 229	3
33 - 79	1, 3/4	230 - 237	3, 1/4
80 - 137	2	238 - 242	3, 1/2
138 - 169	2, 1/4	243 - 255	4
170 - 191	2, 1/2	256 - 258	5
192 - 214	2, 3/1	259 - 265	6

EXTEND YOUR PRODUCT LIFETIME AND SAVE WATER COST UP TO 50%*



Substandard water can damage stainless steel despite its anti-corrosion properties. Therefore, bleed-off need to be set at proper rate and verified regularly.

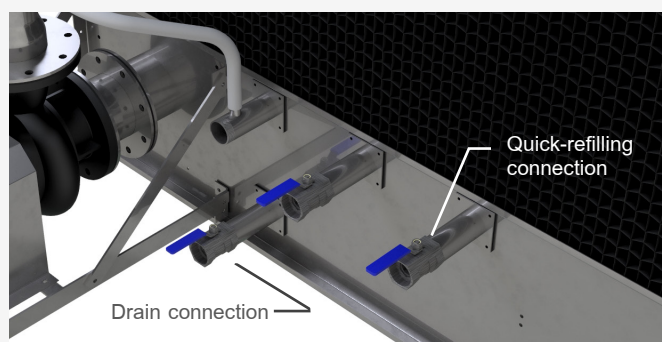
With our bleed-off guideline, our engineers work with you to identify minimum bleed rate. Water cost saving is achieved without risking your condenser with corrosion.

(*Refer to maximum and minimum bleed rate of EC7-1000)

QUICK-REFILLING AND NEW DRAIN CONNECTION REDUCE WORKING HOURS

Quick-refilling is introduced and now water-refilling is 2x faster.

Drain connection is redesigned to reduce cleaning time of stagnant water in a basin.



WORLD CLASS STANDARD

HEATAWAY IS CERTIFIED BY TUV NORD TO ISO STANDARD QUALITY, SAFETY & ENVIRONMENT



ISO 9001:2015
Quality management
systems



ISO 45001:2018
Occupational health and
safety management
systems



ISO 14001:2015
Environmental
management systems



HEATAWAY 

ASIA'S **NO.1** STAINLESS STEEL EVAPORATIVE CONDENSER MANUFACTURER WITH OVER **30-YEAR EXPERIENCE**

We combine our technological know-how and engineering expertise to be leader in stainless steel evaporative condenser manufacturer. Our quality management complies with international standard from design, development, manufacturing and quality assurance. It is our commitment to satisfy our customers with...

“WORLD CLASS QUALITY”



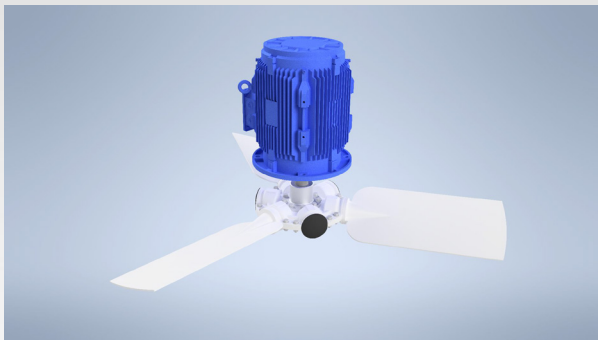
OPTIONAL AND ADDITIONAL FEATURES

STANDARD FEATURES



STANDARD CONDENSING COIL

Made of 304 stainless steel and complied with ASME B31.5



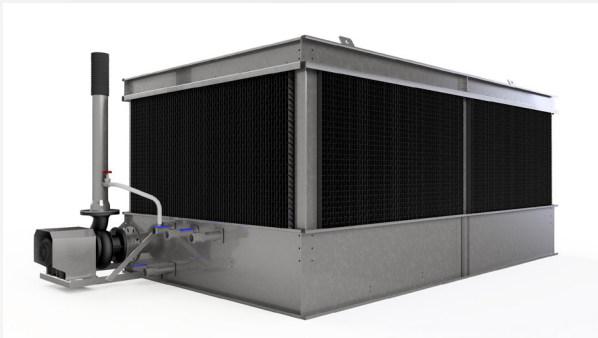
STANDARD FAN MOTOR

Made of cast iron casing with IE2 efficiency standard



STANDARD WATER PUMP

Made of cast iron casing with IE2 efficiency standard



STANDARD INLET LOUVER

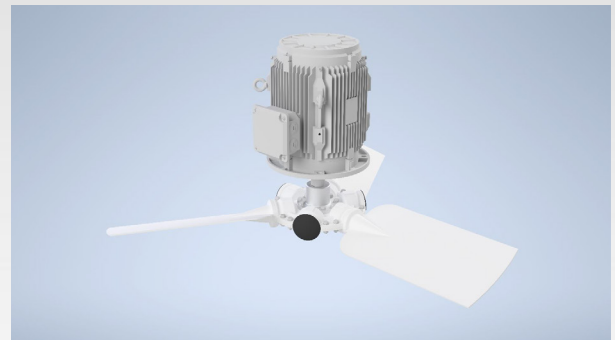
Made of PVC with UV protection

OPTIONAL FEATURES



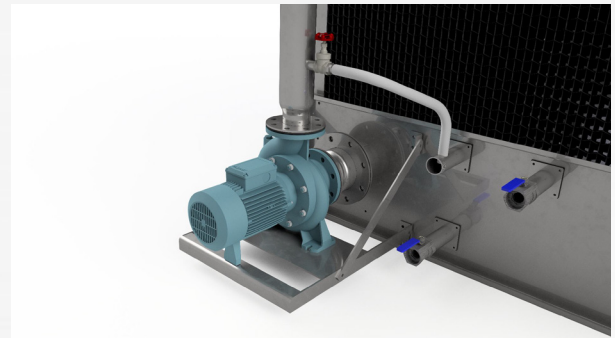
ASME U CONDENSING COIL

Made of 304 stainless steel and complied with ASME BPVC Sec.8



HIGH EFFICIENCY FAN MOTOR

Made of cast iron casing with IE3 efficiency standard



HIGH EFFICIENCY WATER PUMP

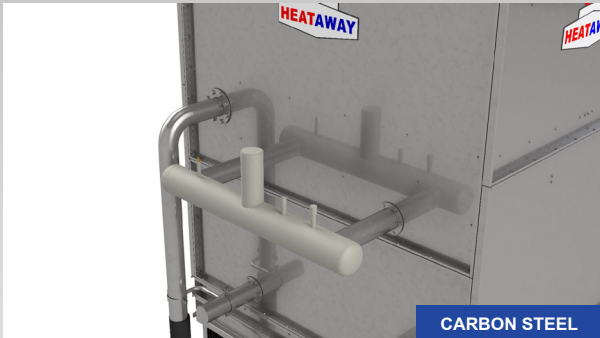
Made of cast iron casing with IE3 efficiency standard



STAINLESS STEEL INLET LOUVER

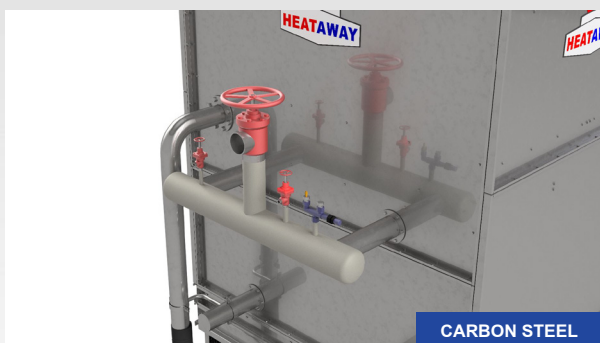
Made of 304 stainless steel

ADDITIONAL FEATURES



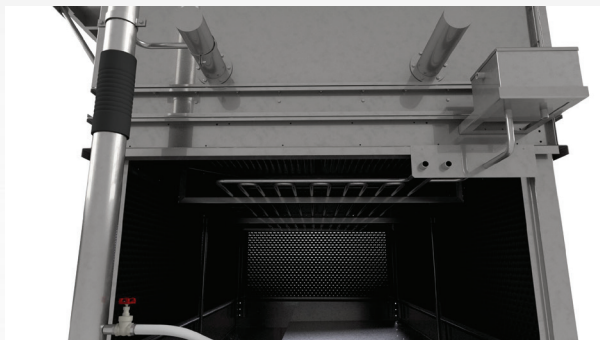
CARBON STEEL HOT GAS HEADER

Made of A53 carbon steel



CARBON STEEL HOT GAS HEADER & PACKAGE VALVE

Made of A53 carbon steel with built-in package valves



SINGLE LAYER WATER COOLING COIL

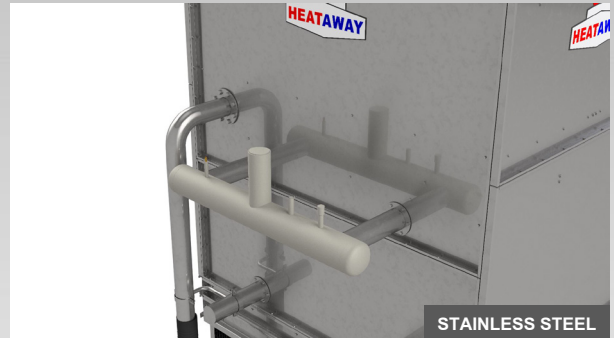
Made of 304 stainless steel



LADDER AND CAGE

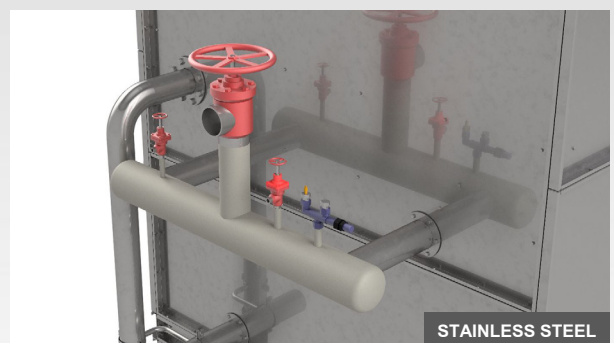
Made of 304 stainless steel and complied with OSHA 1910

ADDITIONAL FEATURES



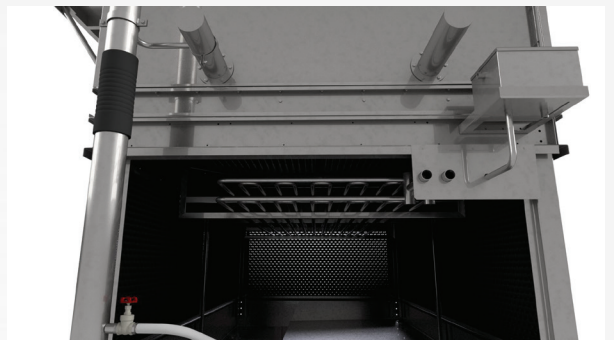
STAINLESS STEEL HOT GAS HEADER

Made of 304 stainless steel



STAINLESS STEEL HOT GAS HEADER & PACKAGE VALVE

Made of 304 stainless steel with built-in package valves



DOUBLE LAYER WATER COOLING COIL

Made of 304 stainless steel



HANDRAIL AND PLATFORM

Made of 304 stainless steel and complied with OSHA 1910



WORLD CLASS QUALITY



**SERVING IN MORE THAN
40 COUNTRIES IN 6 CONTINENTS**

HEATAWAY CO., LTD.

135 Moo7 Khlong Preng, Mueang Chachoengsao,
Chachoengsao, Thailand 24000

Tel. +66(0) 38-088708
Fax +66(0) 38-088712

E-mail : sales@heataway.net
Website : www.heataway.net